

# Volume of a Rectangular Prism

Name \_\_\_\_\_

## Key Concept and Vocabulary

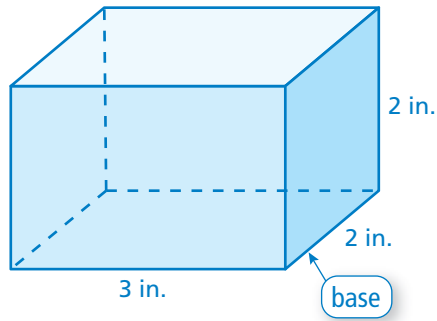
Volume is base area times height.



$$\begin{aligned} \text{Base area} &= 3 \times 2 \\ &= 6 \text{ in.}^2 \end{aligned}$$

base area      height

$$\begin{aligned} \text{Volume} &= 6 \times 2 \\ &= 12 \text{ in.}^3 \end{aligned}$$



Volume is measured in cubic units.



## PRACTICE MAKES PURR-FECT™

Check your answers at [BigIdeasMath.com](http://BigIdeasMath.com).

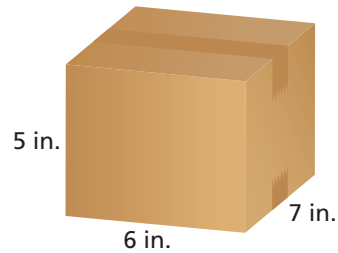
Find the volume of the prism. Include the units in your answer.

1.



Volume =  ×  =

2.



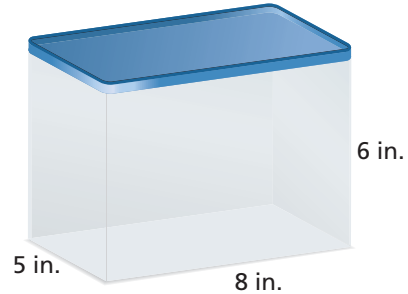
Volume =  ×  =

3.



Volume =  ×  =

4.



Volume =  ×  =

5. Circle the box that has the greatest volume.

