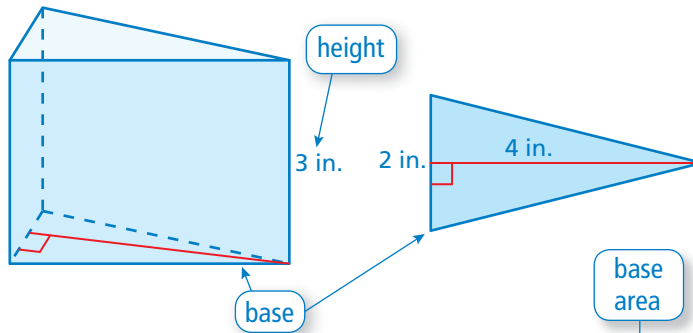


Volume of a Triangular Prism

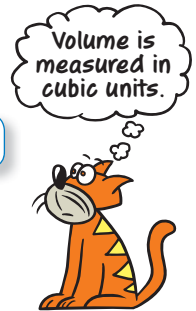
Name _____

Key Concept and Vocabulary



$$\text{Volume} = \left(\frac{1}{2} \times 2 \times 4 \right) \times 3$$

$$= 12 \text{ in.}^3$$

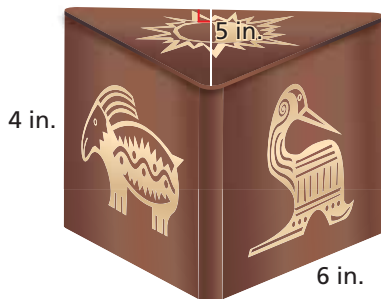


PRACTICE MAKES PURR-FECT™

Check your answers at BigIdeasMath.com.

Find the volume of the triangular prism. Include the units in your answer.

1.



$$\text{Base area} = \frac{1}{2} \times \text{ } \times \text{ }$$

$$= \text{ }$$

$$\text{Volume} = \text{ } \times \text{ } = \text{ }$$

2.



$$\text{Base area} = \frac{1}{2} \times \text{ } \times \text{ }$$

$$= \text{ }$$

$$\text{Volume} = \text{ } \times \text{ } = \text{ }$$